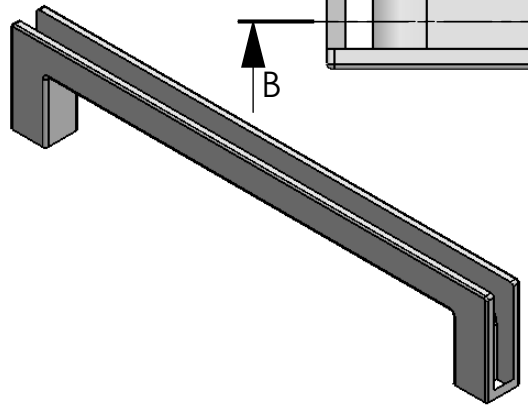
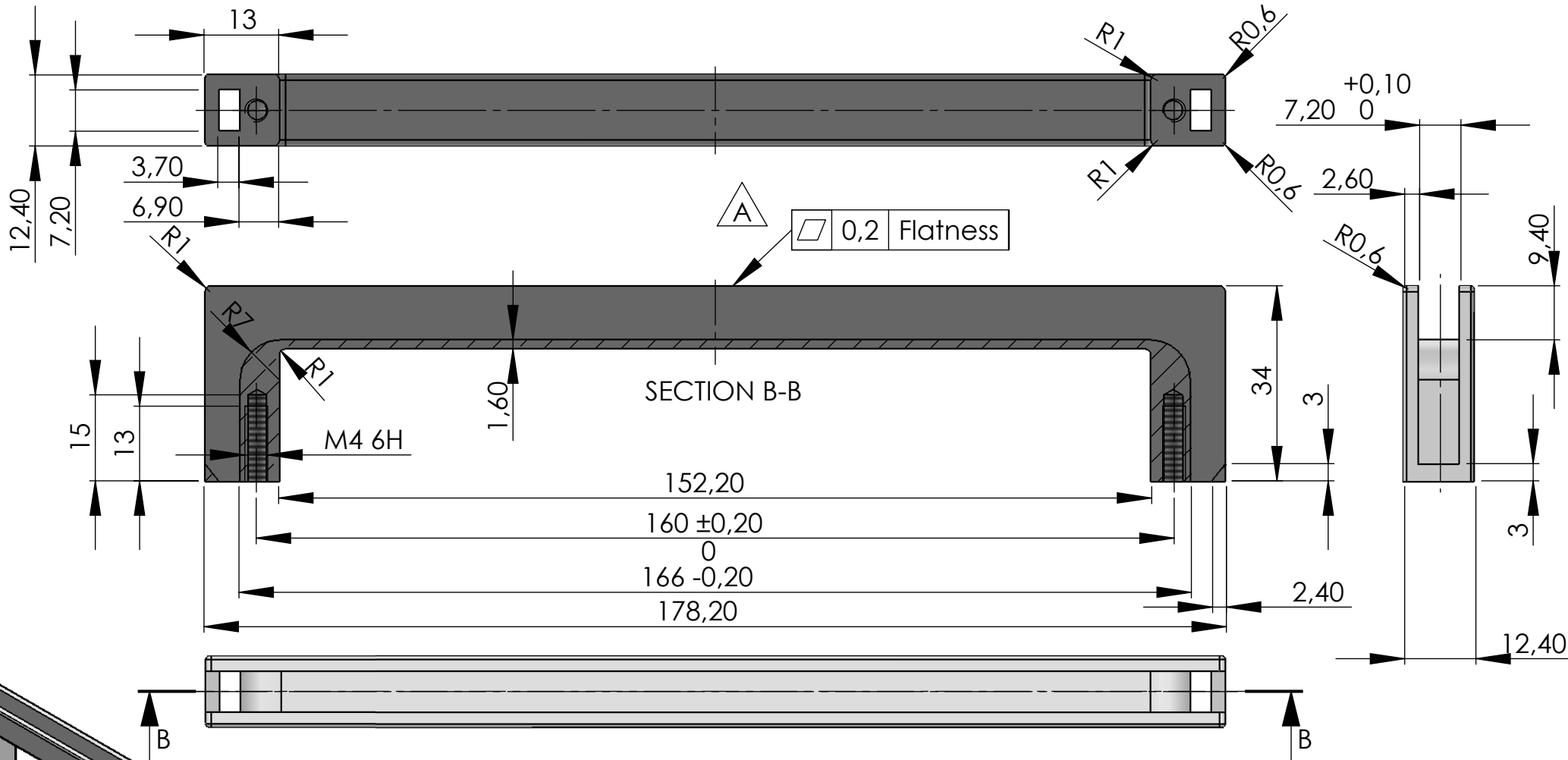


Part name: <b>NEW FRAME</b>		Projection: 	Sheet format: <b>A4</b>	Tolerance unless otherwise specified DS/ISO 2768-1M							
Customer:		Drawn by: <b>ps date 14. september 2012</b>	Scale: <b>1:1</b>	Linear dimensions:							
Part no.: <b>517760160</b>		Page 1 of 3		0-3	3-6	6-30	30-120	120-400	400-1000	1000-2000	
Material:		Weight: <b>121,15 grams</b>		± 0.1	± 0.1	± 0.2	± 0.3	± 0.5	± 0.8	± 1.2	
Rev.:		Date:		Name:		Description:		Angle ± 0.5°		Radius ± 5%	

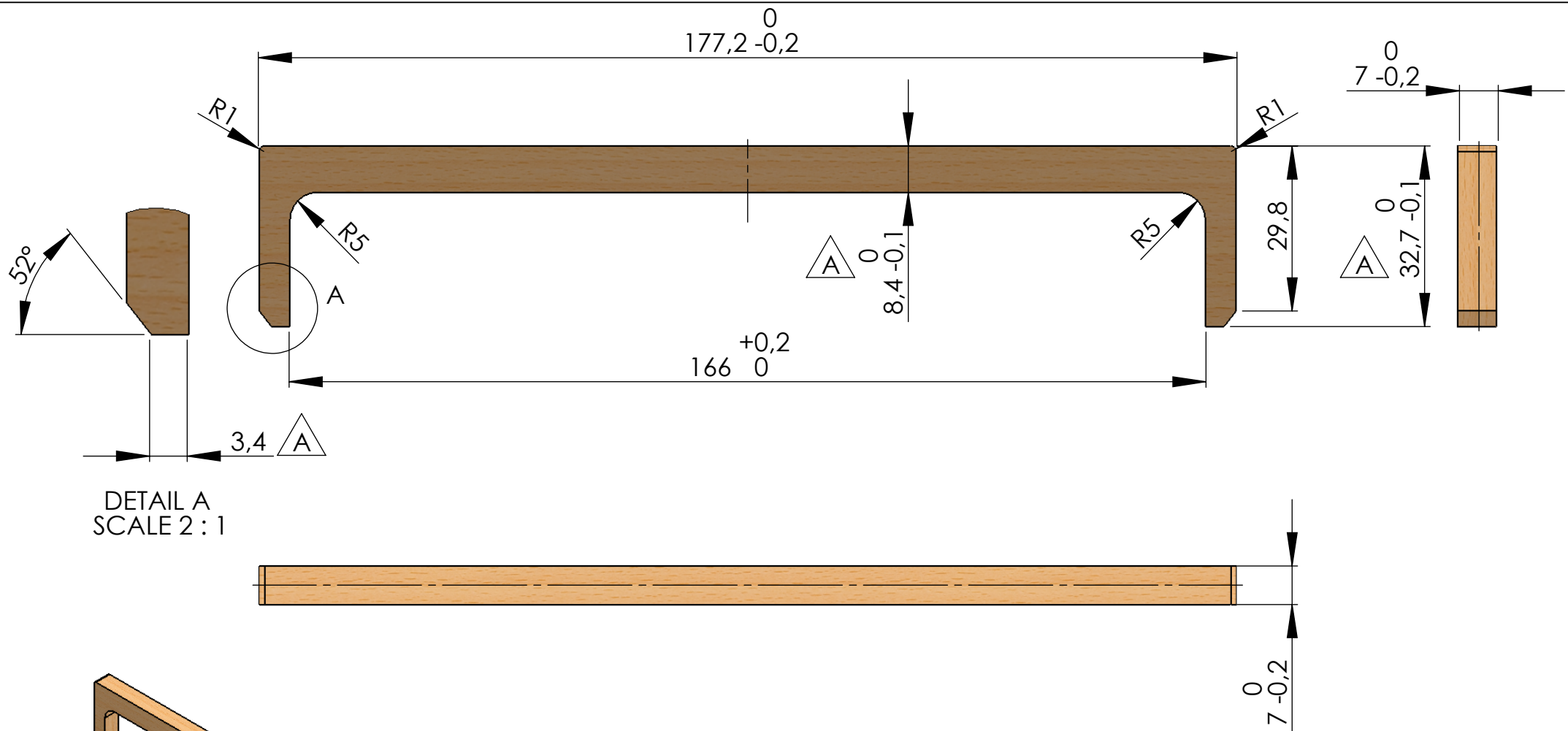
**furnipart®**

Delta 2 Phone: +45 87 64 35 00  
DK-8382 Hinnerup Fax: +45 87 64 35 01

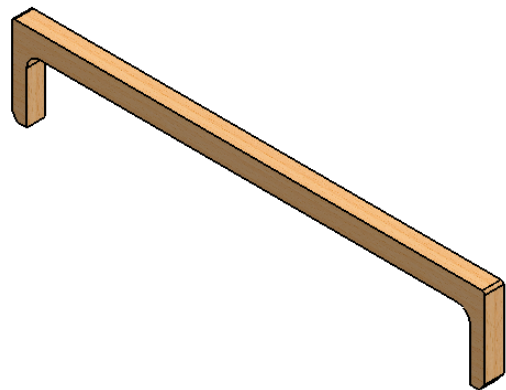


Part name: <b>Zinc metal part for NEW FRAME</b>	Projection: 	Sheet format: <b>A4</b>	Tolerance unless otherwise specified DS/ISO 2768-1M							
Customer:	Drawn by: <b>ps date 14. september 2012</b>	Scale: <b>1:1</b>	Linear dimensions:	0-3	3-6	6-30	30-120	120-400	400-1000	1000-2000
				± 0.1	± 0.1	± 0.2	± 0.3	± 0.5	± 0.8	± 1.2
			Angle	Radius						
			± 0.5°	± 5%						
Part no.: <b>517760160</b>	Page 2 of 3									
Material: <b>Zinc</b>	Weight: <b>114,03 grams</b>									

Rev.:	Date:	Name:	Description:
A	14-09-2012	PS	Flatness tolerance 0,2 added on drawing



DETAIL A  
SCALE 2 : 1



Part name: <b>Wood or acrylic part for NEW FRAME</b>		Projection: 	Sheet format: <b>A4</b>	Tolerance unless otherwise specified DS/ISO 2768-1M							
Customer:		Drawn by: <b>ps date 6. december 2012</b>	Scale: <b>1:1</b>	Linear dimensions:							
Part no.: <b>517760160</b>		Page 3 of 3		0-3	3-6	6-30	30-120	120-400	400-1000	1000-2000	
Material: <b>Wood or acrylic</b>		Weight: <b>6,92 grams</b>		± 0.1	± 0.1	± 0.2	± 0.3	± 0.5	± 0.8	± 1.2	
Rev.: A		Date: 06-12-2012	Name: PS	Description: Dimension changed		Angle ± 0.5°		Radius ± 5%			

**furnipart®**

Delta 2 Phone: +45 87 64 35 00  
DK-8382 Hinnerup Fax: +45 87 64 35 01